



AUDI
BENTLEY
CHRYSLER
CITROEN
FORD
JAGUAR
LAND ROVER
MASERATI
MERCEDES
PEUGEOT
PORSCHE
SKODA
VOLVO
VOLKSWAGEN



Pin-assignment harness Cable colour Assignment

- Yellow CAN-HIGH – toward the navigation unit
- Blue CAN-LOW – toward the navigation unit
- Yellow/Black CAN-HIGH – toward the vehicle's harness
- Blue/Black CAN-LOW – toward the vehicle's harness
- Red +12V permanent
- Black Ground
- Green Activation of the video-in-motion function (+12V = TV-free activated)

Legal Information

By law, watching moving pictures while driving is prohibited, the driver must not be distracted. We do not accept any liability for material damage or personal injury resulting, directly or indirectly, from installation or operation of this product. This product should only be used while standing or to display fixed menus or rear-view-camera video when the vehicle is moving, for example the MP3 menu for DVD upgrades.

Changes/updates of the vehicle's software can cause malfunctions of the interface. We offer free software-updates for our interfaces for one year after purchase. To receive a free update, the interface must be sent in at own cost. Labor cost for and other expenses involved with the software-updates will not be refunded.

Prior to installation

Read the manual prior to installation. Technical knowledge is necessary for installation. The place of installation must be free of moisture and away from heat sources.

Delivery contents

CAN-box TV-100, Harness

Take down the SW-version and HW-version of the interface-boxes, and store this manual for support purposes!

2. Installation

Switch off ignition and disconnect the vehicle's battery! If according to factory

rules disconnecting the battery has to be avoided, it is usually sufficient to put

the vehicle in sleep-mode. In case the sleep-mode does not show success,

disconnect the battery with a resistor lead.

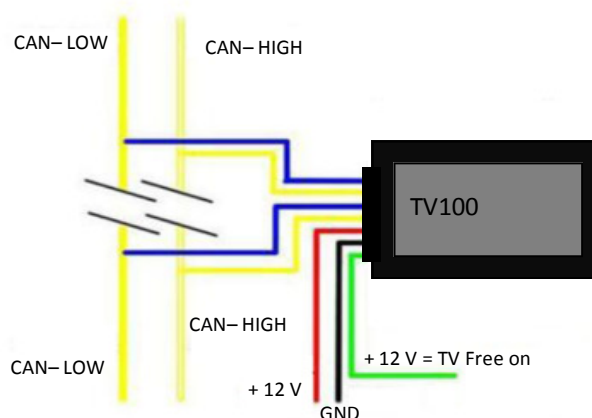
Install the interface at the CAN bus connection of the respective navigation system. Separate

the two CAN BUS cables (CAN-HIGH and CAN-LOW) from the navigation system and connect

them to harness TV-UNI (see picture below).

Connect the **red wire** to **+12V permanent** and connect the **black wire** to **ground**. The **green**

wire is used to **activate the video-in-motion function** (+12 V = activated).





TV 100

Universal video-in-motion Interface



Vehicles with RT3-N3 CAN and RT4



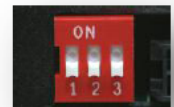
Compatible vehicles

Citroen

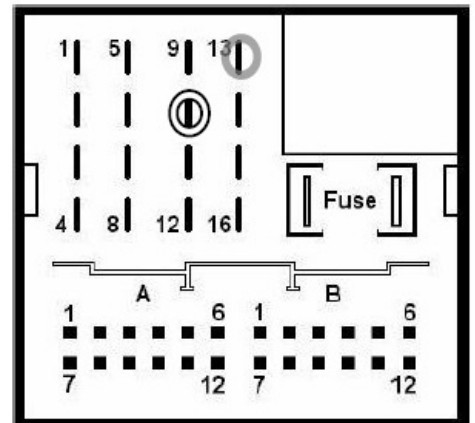
Peugeot

All vehicles

Dip 1 OFF, Dip 2 OFF, Dip 3 OFF



Cable colour	Assignment
● White	CAN HIGH Pin 10
● Grey	CAN LOW Pin 13



Longpress the "SRC"-button on the steering wheel (about 3 seconds) to activate/deactivate the video-in-motion function.

When ignition is off, the video-in-motion interface will be automatically disabled.

Note: While the video-in-motion function is activated, the navigation performance is not



TV 100

Universal video-in-motion Interface



Vehicles with NG4 NaviDrive and NG4 WipCom



Compatible vehicles

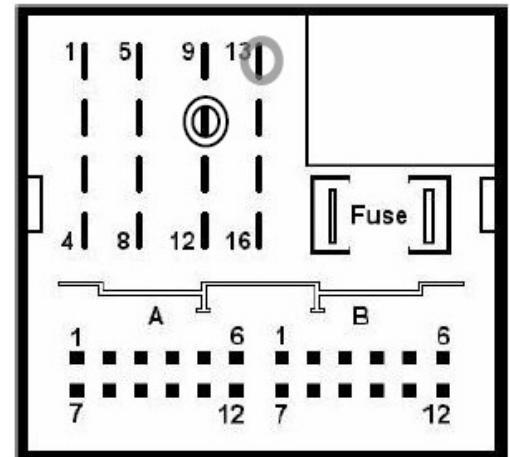
Citroen
Peugeot



All vehicles Dip 1 ON, Dip 2 OFF, Dip 3 OFF



Cable colour	Assignment
● White	CAN HIGH Pin 10
● Grey	CAN LOW Pin 13



The video-in-motion function is activated permanently without disturbing the navigation performance.