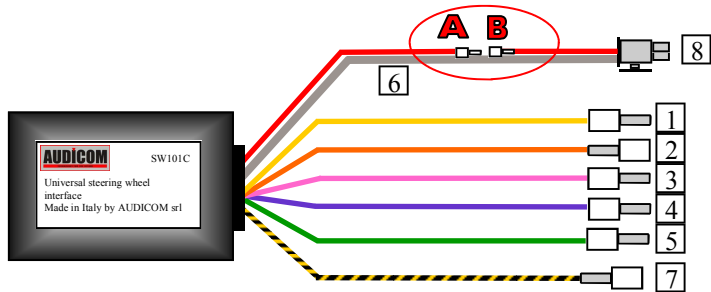


CK3000 and MK6000 CONNECTIONS

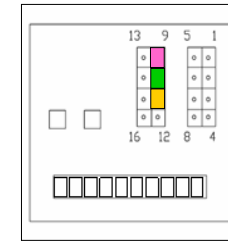
SW101C is provided with an ignition lead, "ORANGE WIRE" you should connect to the car kit. To get this output, first disconnect A and B connectors, as shown in the picture, then connect to a 12V permanent wire A and insulate wire B



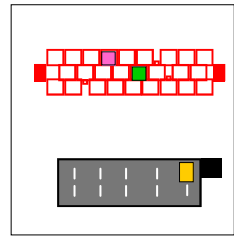
- 1 Yellow = MUTE OUT connect to the radio mute cable
- 2 Orange = ignition lead + 15V CAN BUS (OUTPUT)
- 3 Pink = CAN BUS H line
- 4 Violet = DO NOT CONNECT
- 5 Green = CAN BUS L line
- 6 Red = 12V PERMANENT (INPUT)
- 7 Yellow/Black = MUTE IN to Parrot yellow mute cable
- 8 To CAR KIT



MUTE AND CAN BUS WIRES POSITION



AUDI with satellite navigator system (Naviplus)



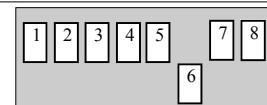
AUDI Concert, Symphony, Delta, Gamma

- CAM BUS H
- CAM BUS L
- MUTE CABLE

MK 6000 SWITCHES SETTING



CK3000 EVOLUTION SWITCHES SETTING

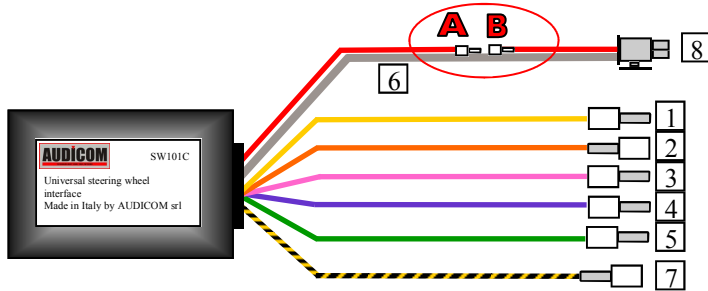


DEDICATED HARNESES FOR PLUG 'N' PLAY INSTALLATION

| | |
|--------|--|
| CP100M | HARNESS WITH MUTE AND CAN BUS WIRES FOR AUDI CARS WITH CONCERT, SIMPHONY, DELTA OR CHORUS CAR RADIO |
| CP200M | HARNESS WITH MUTE AND CAN BUS WIRES FOR AUDI A3,A4,A6,Q7 WITHOUT AMPLIFIER or WITH "NAVIPLUS" Satellite Navigator System |
| CP201 | HARNESS FOR AUDI A4,A6,Q7, WITH BOSE 6000 SYSTEM AMPLIFIER AND 13 LOUDSPEAKERS |
| CP202 | HARNESS FOR AUDI A4,A6,Q7, WITH MMI & MMI BASIC PLUS DSP SYSTEM AMPLIFIER AND 11 LOUDSPEAKERS |
| CP203 | HARNESS FOR AUDI A4,A6,Q7, WITH BOSE 6000 SYSTEM AMPLIFIER (BLACK VERSION) AND 13 LOUDSPEAKERS |
| CP204 | HARNESS FOR AUDI A8 WITH BOSE 6000 SYSTEM AMPLIFIER AND 14 LOUDSPEAKERS |
| CP205 | HARNESS WITH MUTE CABLE FOR AUDI A4, A5 2007> WITH "MMI BASIC PLUS" AUDIO SYSTEM AND 8 LOUDSPEAKERS |
| CP207 | HARNESS WITH MUTE CABLE FOR AUDI A4,A5 2007> WITH "MMI SOUND SYSTEM STANDARD" AUDIO SYSTEM AND 10 LOUDSPEAKERS |
| CP208 | HARNESS WITH MUTE CABLE FOR AUDI A4,A5 2007> WITH "B&O PREMIUM SOUND SYSTEM" AUDIO SYSTEM AND 14 LOUDSPEAKERS |

CK3000 and MK6000 CONNECTIONS

SW101C is provided with an ignition lead, "ORANGE WIRE" you should connect to the car kit. To get this output, first disconnect A and B connectors, as shown in the picture, then connect to a 12V permanent wire A and insulate wire B



CP201



A4 2005>
A6 2005>
Q7 2006>

WITH BOSE SYSTEM 6000
AMPLIFIER AND
13 LOUDSPEAKERS

- 1 YELLOW = MUTE OUT to CP201 mute cable (**YELLOW**)
- 2 ORANGE = ignition lead + 15 (**output**) to CP201 **BLUE** wire
- 3 PINK = CAN BUS H line to **ORANGE/GREEN** wire
- 4 **VIOLET = K-BUS DO NOT CONNECT**
- 5 GREEN = CAN BUS L line to **ORANGE/BROWN** wire
- 6 RED = Positive (INPUT)
- 7 YELLOW/BLACK = MUTE IN to car kit **YELLOW** mute cable
- 8 To PARROT car kit

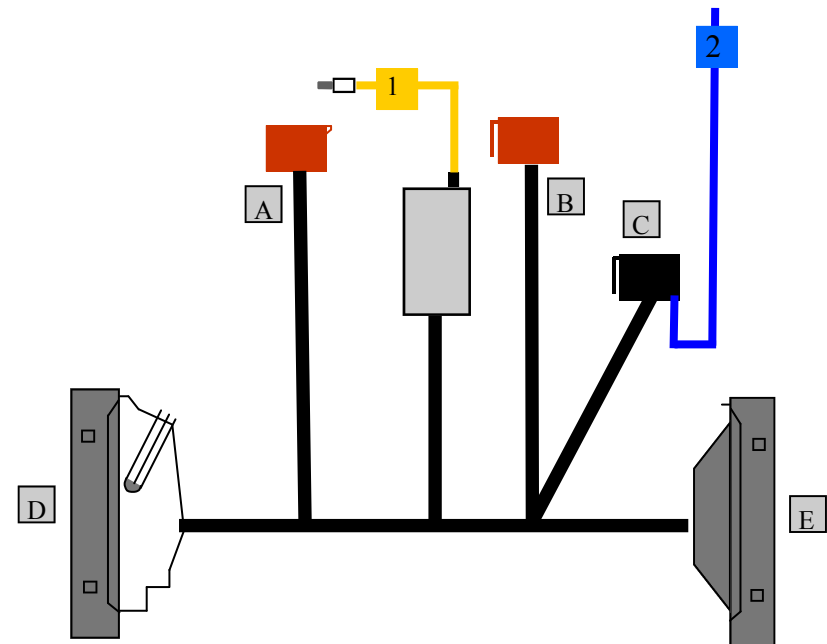
A B C TO CAR KIT ISO CONNECTOR

D AMPLIFIER INPUT CONNECTOR

E OUTPUT CONNECTOR TO CAR AUDIO SYSTEM

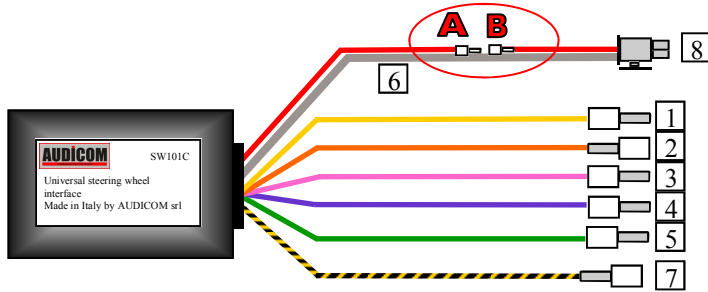
IN AUDI CARS , CAN BUS LINES ARE BENEATH THE WHEEL IN THE FUSE HOLDER
AND THEIR COLOURS ARE :

ORANGE/BROWN and **ORANGE/GREEN**



CK3000 and MK6000 CONNECTIONS

SW101C is provided with an ignition lead, "ORANGE WIRE" you should connect to the car kit. To get this output, first disconnect A and B connectors, as shown in the picture, then connect to a 12V permanent wire A and insulate wire B



CP202



A4 2005>
A6 2005>
Q7 2006>

WITH MMI BASIC SYSTEM PLUS
AMPLIFIER AND
11 LOUDSPEAKERS

- 1 YELLOW = MUTE OUT to CP202 mute cable (YELLOW) 1
- 2 ORANGE = ignition lead + 15 (output) to CP202 BLUE wire 2
- 3 PINK = CAN BUS H line to ORANGE/GREEN wire
- 4 VIOLET = K-BUS DO NOT CONNECT
- 5 GREEN = CAN BUS L line to ORANGE/BROWN wire
- 6 RED = Positive (INPUT)
- 7 YELLOW/BLACK = MUTE IN to car kit YELLOW mute cable
- 8 To PARROT car kit

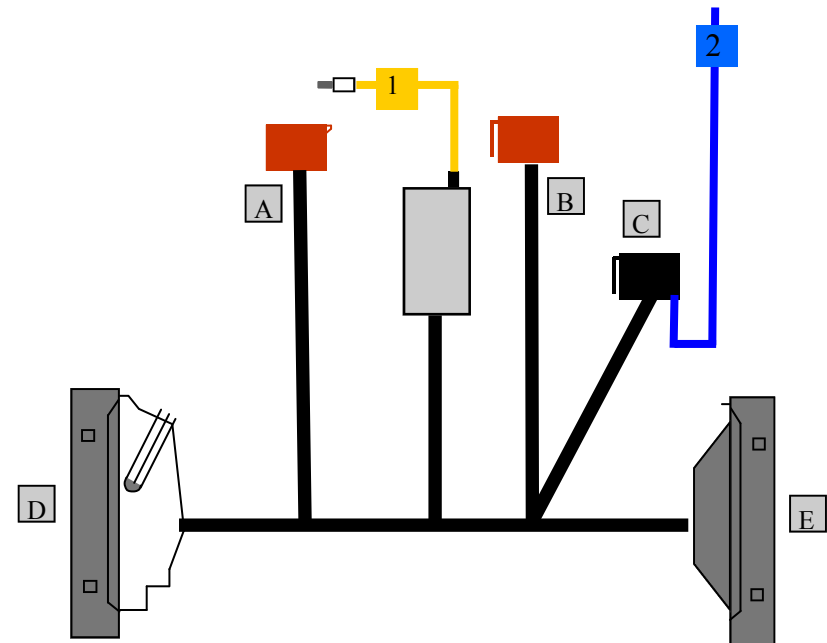
A B C TO CAR KIT ISO CONNECTOR

D AMPLIFIER INPUT CONNECTOR

E OUTPUT CONNECTOR TO CAR AUDIO SYSTEM

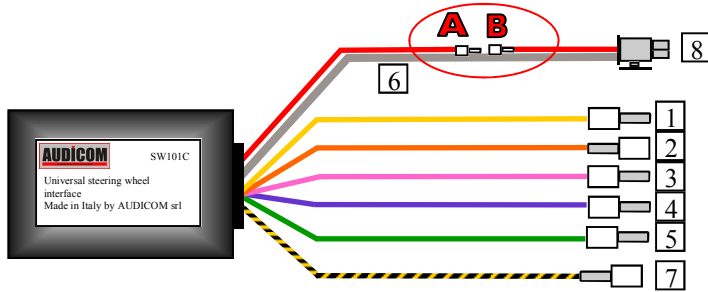
IN AUDI CARS, CAN BUS LINES ARE BENEATH THE WHEEL IN THE FUSE HOLDER
AND THEIR COLOURS ARE :

ORANGE/BROWN and **ORANGE/GREEN**



CK3000 and MK6000 CONNECTIONS

SW101C is provided with an ignition lead, "ORANGE WIRE" you should connect to the car kit. To get this output, first disconnect A and B connectors, as shown in the picture, then connect to a 12V permanent wire A and insulate wire B



CP203



A4 2005>
A6 2005>
Q7 2006>

WITH BOSE 6000 "BLACK EDITION"
AMPLIFIER AND
13 LOUDSPEAKERS

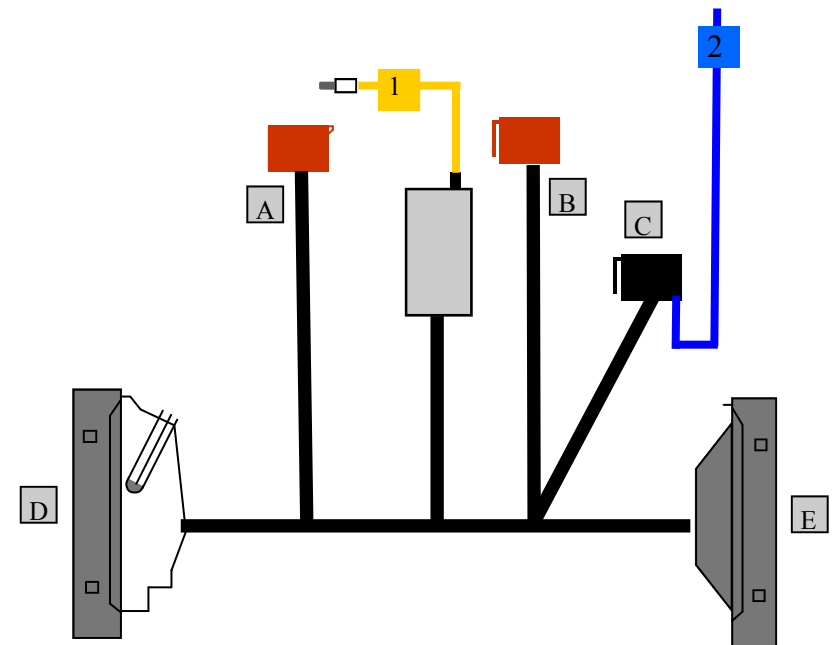
- 1 YELLOW = MUTE OUT to CP203 mute cable (**YELLOW**) 1
- 2 ORANGE = ignition lead + 15 (**output**) to CP203 **BLUE** wire 2
- 3 PINK = CAN BUS H line to **ORANGE/GREEN** wire
- 4 **VIOLET = K-BUS DO NOT CONNECT**
- 5 GREEN = CAN BUS L line to **ORANGE/BROWN** wire
- 6 RED = Positive (INPUT)
- 7 YELLOW/BLACK = MUTE IN to car kit **YELLOW** mute cable
- 8 To PARROT car kit

A B C TO CAR KIT ISO CONNECTOR

D AMPLIFIER INPUT CONNECTOR

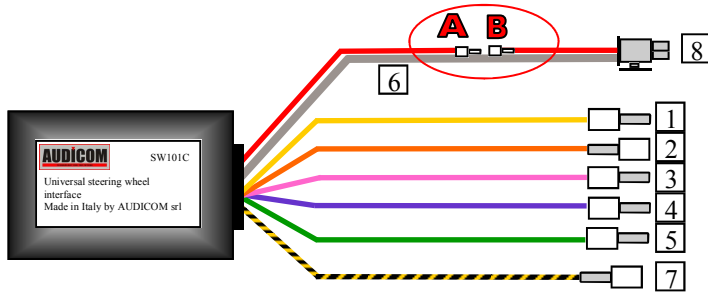
E OUTPUT CONNECTOR TO CAR AUDIO SYSTEM

IN AUDI CARS, CAN BUS LINES ARE BENEATH THE WHEEL IN THE FUSE HOLDER
AND THEIR COLOURS ARE :
ORANGE/BROWN and **ORANGE/GREEN**



CK3000 and MK6000 CONNECTIONS

SW101C is provided with an ignition lead, "ORANGE WIRE" you should connect to the car kit. To get this output, first disconnect A and B connectors, as shown in the picture, then connect to a 12V permanent wire A and insulate wire B



CP204



A8 2006>

WITH BOSE 6000 SYSTEM
AMPLIFIER AND
14 LOUDSPEAKERS

- 1 YELLOW = MUTE OUT to CP204 mute cable (**YELLOW**) 1
- 2 ORANGE = ignition lead + 15 (**output**) to CP204 **BLUE** wire 2
- 3 PINK = CAN BUS H line to **ORANGE/GREEN** wire
- 4 **VIOLET = K-BUS DO NOT CONNECT**
- 5 GREEN = CAN BUS L line to **ORANGE/BROWN** wire
- 6 RED = Positive (INPUT)
- 7 YELLOW/BLACK = MUTE IN to car kit **YELLOW** mute cable
- 8 To PARROT car kit

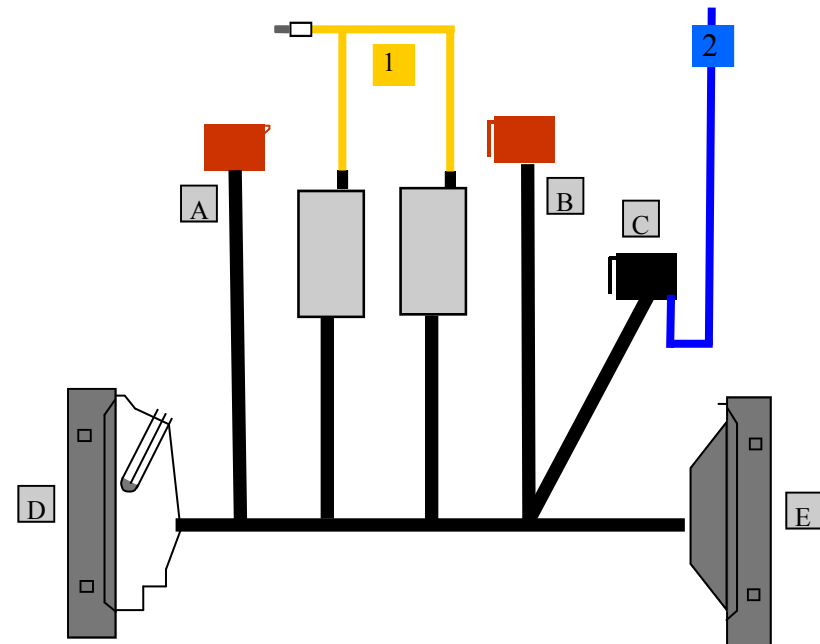
A B C TO CAR KIT ISO CONNECTOR

D AMPLIFIER INPUT CONNECTOR

E OUTPUT CONNECTOR TO CAR AUDIO SYSTEM

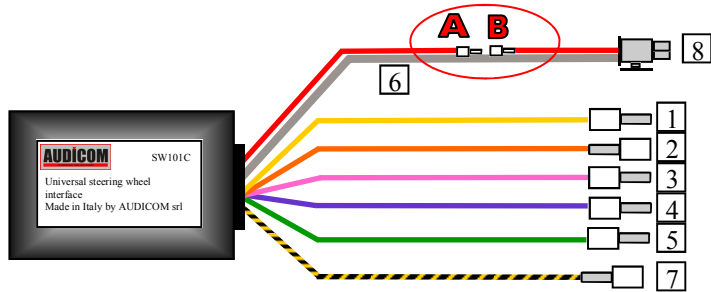
IN AUDI CARS CAN BUS LINES ARE BENEATH THE WHEEL IN THE FUSE HOLDER
AND THEIR COLOURS ARE :

ORANGE/BROWN and **ORANGE/GREEN**



CK3000 and MK6000 CONNECTIONS

SW101C is provided with an ignition lead, "ORANGE WIRE" you should connect to the car kit. To get this output, first disconnect A and B connectors, as shown in the picture, then connect to a 12V permanent wire A and insulate wire B



CP205



A4 2007>
A5 2007>

WITH MMI BASIC PLUS
AMPLIFIER AND
8 LOUDSPEAKERS

- 1 YELLOW = MUTE OUT to CP205 mute cable (YELLOW) 1
- 2 ORANGE = ignition lead + 15 (output) to CP205 BLUE wire 2
- 3 PINK = CAN BUS H line to ORANGE/GREEN wire
- 4 VIOLET = K-BUS DO NOT CONNECT
- 5 GREEN = CAN BUS L line to ORANGE/BROWN wire
- 6 RED = Positive (INPUT)
- 7 YELLOW/BLACK = MUTE IN to car kit YELLOW mute cable
- 8 To PARROT car kit

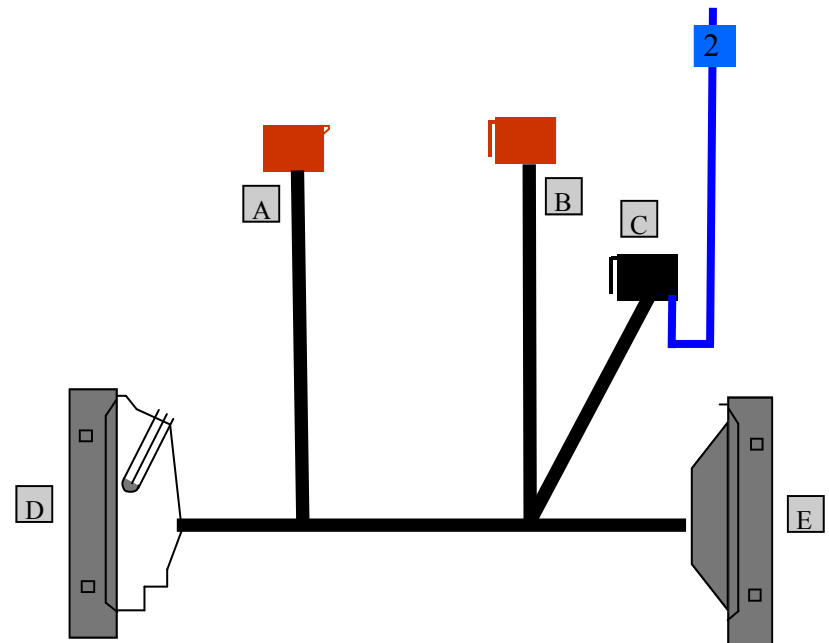
A B C TO CAR KIT ISO CONNECTOR

D AMPLIFIER INPUT CONNECTOR

E OUTPUT CONNECTOR TO CAR AUDIO SYSTEM

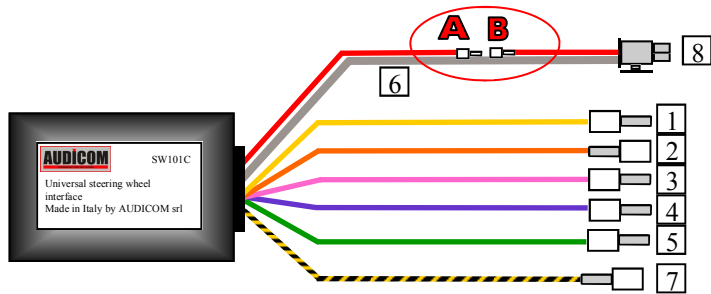
IN AUDI CARS, CAN BUS LINES ARE BENEATH THE WHEEL IN THE FUSE HOLDER
AND THEIR COLOURS ARE :

ORANGE/BROWN and **ORANGE/GREEN**



CK3000 and MK6000 CONNECTIONS

SW101C is provided with an ignition lead, "ORANGE WIRE" you should connect to the car kit. To get this output, first disconnect A and B connectors, as shown in the picture, then connect to a 12V permanent wire A and insulate wire B



CP207



**A4 2007<
A5 2007>**

**WITH SOUND SYSTEM STANFARD
AMPLIFIER AND
10 LOUDSPEAKERS**

- 1 YELLOW = MUTE OUT to CP207 mute cable (**YELLOW**)
- 2 ORANGE = ignition lead + 15 (**output**) to CP207 **BLUE** wire
- 3 PINK = CAN BUS H line to **ORANGE/GREEN** wire
- 4 **VIOLET = K-BUS DO NOT CONNECT**
- 5 GREEN = CAN BUS L line to **ORANGE/BROWN** wire
- 6 RED = Positive (INPUT)
- 7 YELLOW/BLACK = MUTE IN to car kit **YELLOW** mute cable
- 8 To PARROT car kit

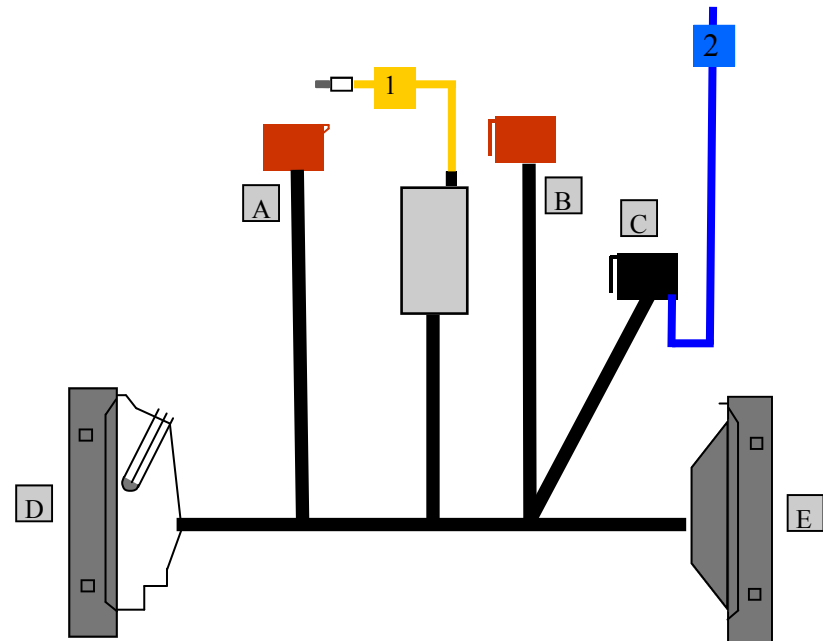
A B C TO CAR KIT ISO CONNECTOR

D AMPLIFIER INPUT CONNECTOR

E OUTPUT CONNECTOR TO CAR AUDIO SYSTEM

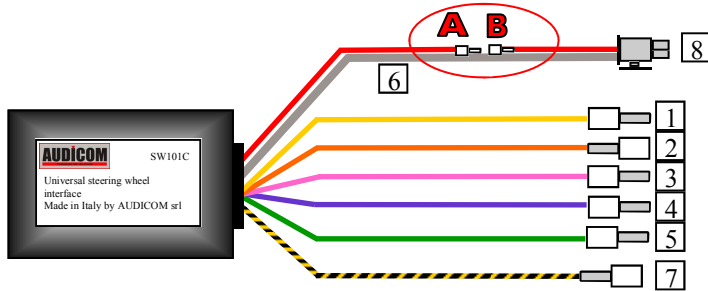
IN AUDI CARS, CAN BUS LINES ARE BENEATH THE WHEEL IN THE FUSE HOLDER
AND THEIR COLOURS ARE :

ORANGE/BROWN and **ORANGE/GREEN**



CK3000 and MK6000 CONNECTIONS

SW101C is provided with an ignition lead, "ORANGE WIRE" you should connect to the car kit. To get this output, first disconnect A and B connectors, as shown in the picture, then connect to a 12V permanent wire A and insulate wire B



CP208



A4 2007>
A5 2007>
R8 2007>
WITH B & O SOUND SYSTEM PREMIUM
AMPLIFIER AND
14 LOUDSPEAKERS

- 1 YELLOW = MUTE OUT to CP208 mute cable (YELLOW) 1
- 2 ORANGE = ignition lead + 15 (output) to CP208 BLUE wire 2
- 3 PINK = CAN BUS H line to ORANGE/GREEN wire
- 4 VIOLET = K-BUS DO NOT CONNECT
- 5 GREEN = CAN BUS L line to ORANGE/BROWN wire
- 6 RED = Positive (INPUT)
- 7 YELLOW/BLACK = MUTE IN to car kit YELLOW mute cable
- 8 To PARROT car kit

A B C TO CAR KIT ISO CONNECTOR

D AMPLIFIER INPUT CONNECTOR

E OUTPUT CONNECTOR TO CAR AUDIO SYSTEM

IN AUDI CARS, CAN BUS LINES ARE BENEATH THE WHEEL IN THE FUSE HOLDER AND THEIR COLOURS ARE :

ORANGE/BROWN and **ORANGE/GREEN**

