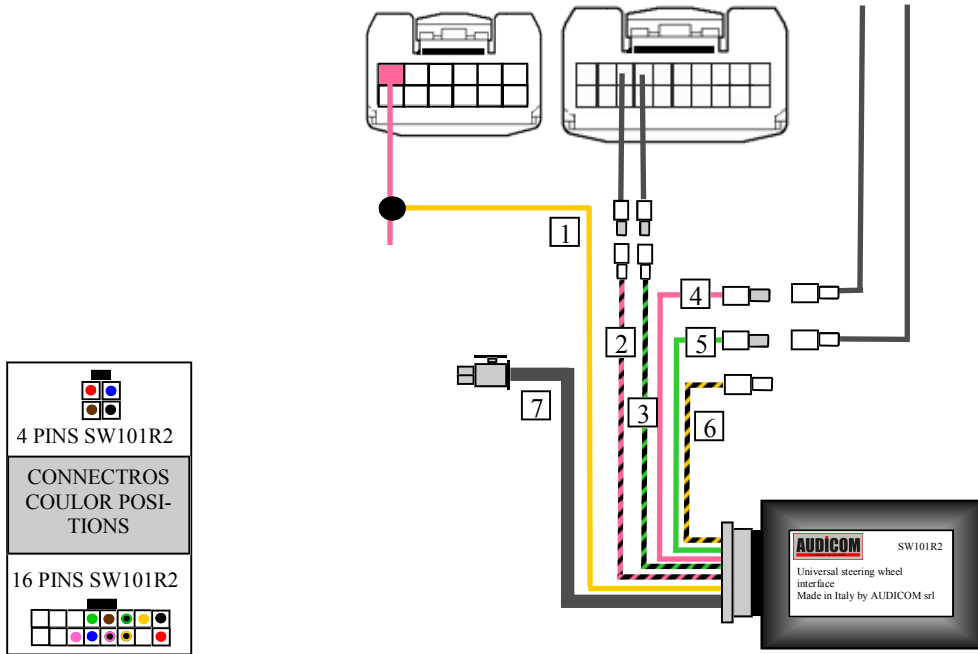


CK3000 EVO. and MK6000 CONNECTION DIAGRAM



CABLES COULORS DIAGRAM



- 1 YELLOW= Connect to car radio MUTE cable
- 2 PINK/BLACK= Connect to pin 8 wire of the 20 pins car radio connector
- 3 GREEN/BLACK= Connect to pin 7 wire of the 20 pins car radio connector
- 4 PINK= Connect it to pin 8 wire, previously cut, coming out from car audio system
- 5 GREEN= Connect it to pin 7 wire, previously cut, coming out from car audio system
- 6 YELLOW/BLACK= Connect to Car kit MUTE cable (yellow wire with red connector)
- 7 To PARROT CK3000 evolution /MK6000 Car kit

TECHNICAL SPECIFICATIONS

The BUS line wires coming out from pin 7 and 8 of the 20 pins connector, could have different colours, depending on car make, although their position is always the same.

During the installation you will need to cut off the BUS wires, ending each one of the two parts coming out the car radio with a faston asia male and connect them as shown in diagram 2 (pink/black) and 3 (green/black).

End with a faston asia female each one of the two parts coming out from car audio system and connect them as shown in diagram 4 (pink) and 5 (green)

The yellow MUTE cable should be connected only if the car has a standard amplifier.

Notice: it is very important to connect wire n. 6 (yellow/black) to car kit yellow MUTE cable.

SWITCHES SETTINGS



TOYOTA Yaris, Rav4 from year 2006 ● Avensis, Auris, Land Cruiser from year 2007

DEDICATED HARNESES FOR PLUG 'N' PLAY INSTALLATION

CP180MP

MUTE CABLE FOR TOYOTA YARIS, COROLLA, RAV4, AVENSIS, AURIS (**PIN TO PIN INSTALLATION**)

'PIN TO PIN' INSTALLATION DIAGRAM FOR LAND CRUISER 2007> WITH AMPLIFIER (BENEATH THE FRONT PASSENGER SEAT) DADICATED HARNESS (CP152)



"PIN TO PIN" INSTALLATION DIAGRAM FOR TOYOTA YARIS,COROLLA,RAV4,AVENSIS,AURIS WITHOUT AMPLIFIER DEDICATED HARNESS (CP180MP)

